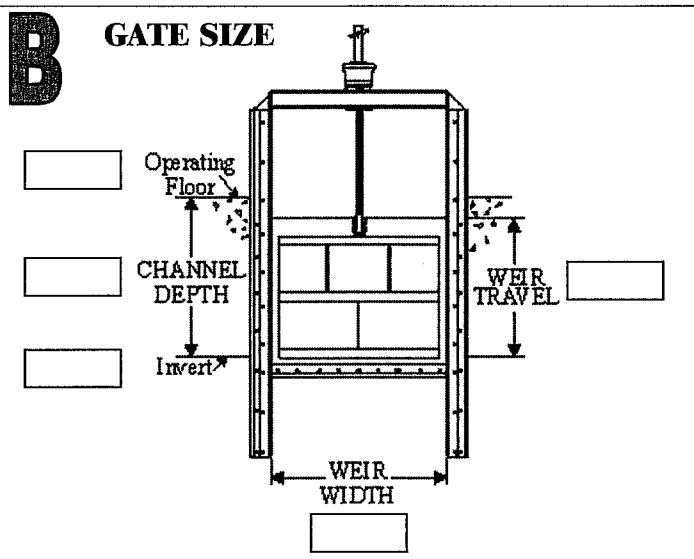


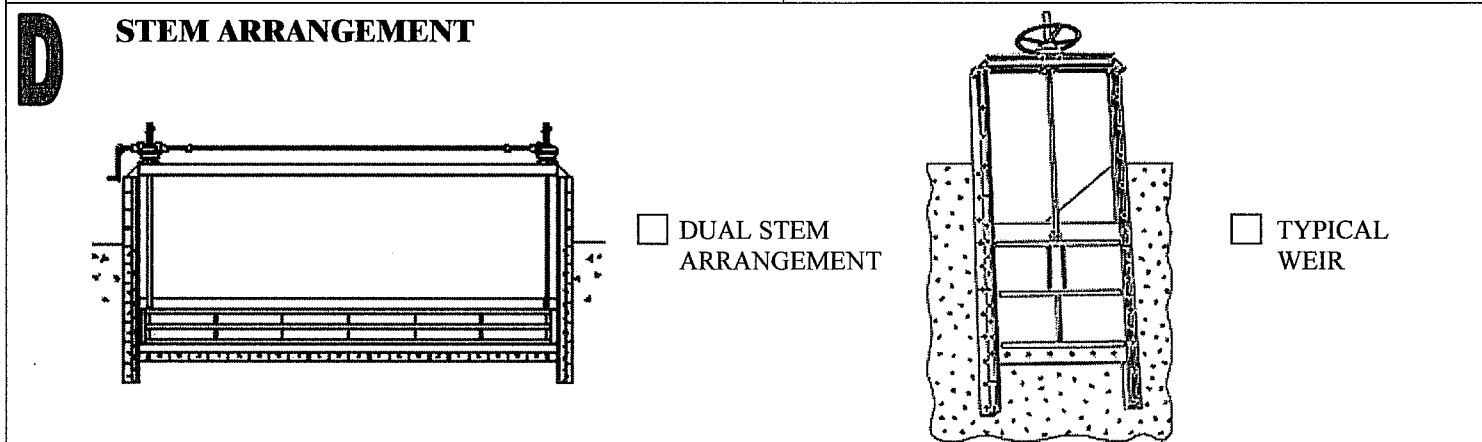
A PROJECT : _____
 ITEM #: _____

QTY OF GATES REQUIRED : _____

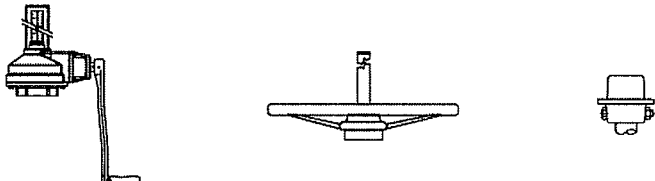
MATERIAL : 304 L SS
 316 L SS
 ALUMINUM
 OTHER: _____



C REMARKS



E HOIST REQUIREMENTS



MANUAL → HAND CRANK HAND WHEEL SQUARE NUT

ELECTRIC → VOLTS: _____ PHASE: _____ CYCLES: _____

CYLINDER → OIL WATER AIR OPERATING PRESSURE (PSI) _____

STEM COVER

CLEAR POLYCARBONATE
 GALVANIZED STEEL

POSITION INDICATOR

MYLAR STRIP
 COUNTER (for non-rising only)

STEM CONFIGURATION

RISING STEM
 NON-RISING STEM

