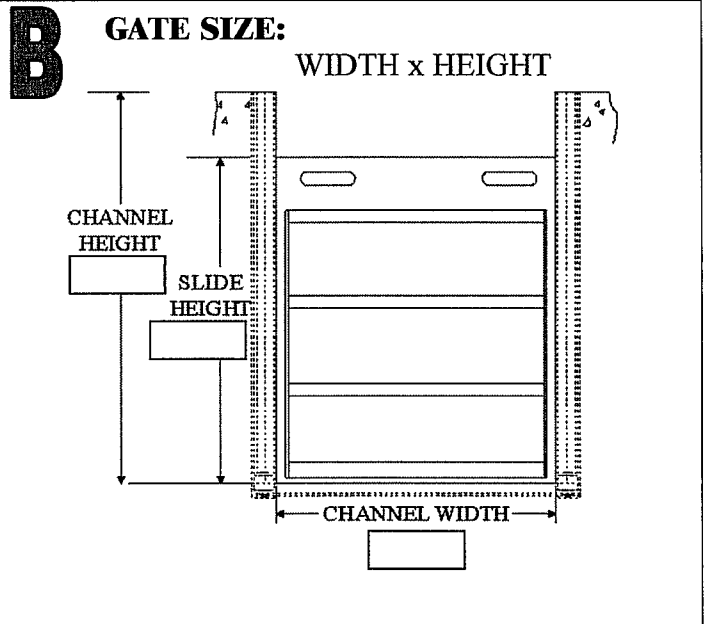


A PROJECT : _____
 ITEM #: _____

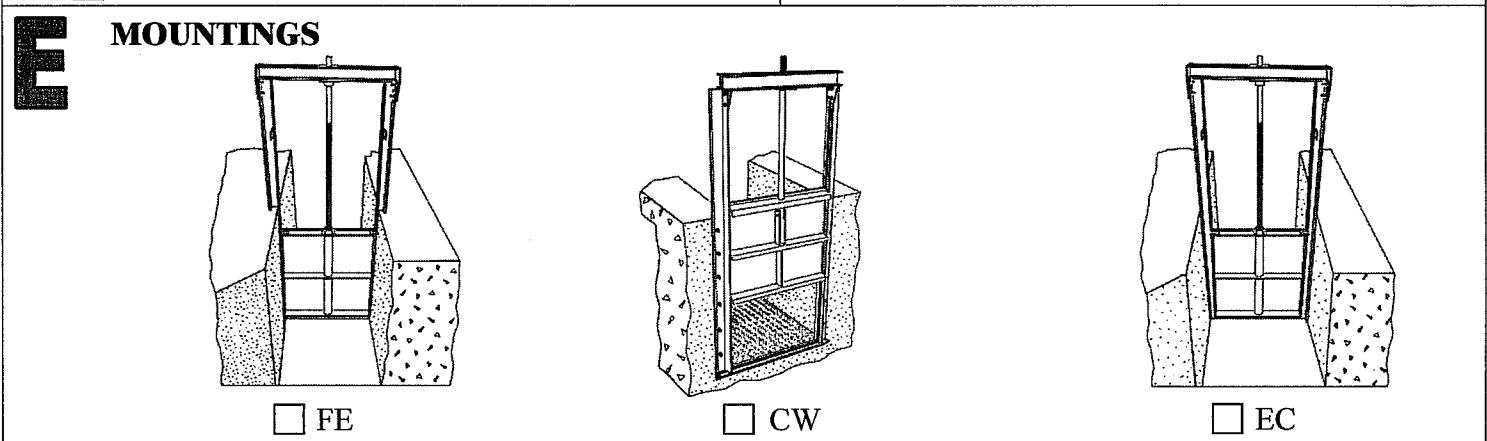
QTY OF GATES REQUIRED : _____

MATERIAL : 304 L SS
 316 L SS
 ALUMINUM
 OTHER: _____

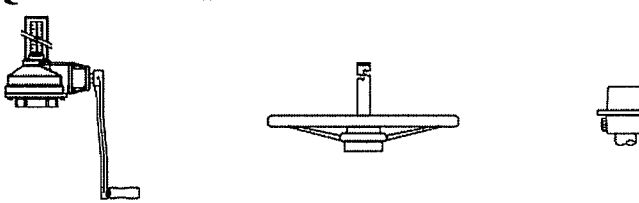


C REMARKS

D LEAKAGE
 AWWA
 OTHER: _____



F HOIST REQUIREMENTS



MANUAL → HAND CRANK HAND WHEEL SQUARE NUT

ELECTRIC → VOLTS: _____ PHASE: _____ CYCLES: _____

CYLINDER → OIL WATER AIR OPERATING PRESSURE (PSI) _____

STEM COVER
 CLEAR POLYCARBONATE
 GALVANIZED STEEL

POSITION INDICATOR
 MYLAR STRIP
 COUNTER (for non-rising only)

STEM CONFIGURATION
 RISING STEM
 NON-RISING STEM
 DOWNWARD OPENING

